

DESCRIPTION

The Environics® Series 7000 Zero Air Generator is a pure air generator system that is capable of continuous delivery of up to 20 standard liters per minute (SLPM), 30 pounds per square inch (PSI) of dry, contaminant-free air. The air is suitable for use as: a zero reference calibration gas, ultra-pure combustion air for flame ionization detector, and service air for pneumatically operated valves. The system is capable of delivering air free from water vapor, particulates, sulfur dioxide (SO₂), Hydrogen Sulfide (H₂S), Oxides of Nitrogen (NO), Nitrogen Dioxide (NO₂), Ozone (O₃), Carbon Monoxide (CO) and Hydrocarbons (HC).

The state-of-the-art PSA molecular sieve removes water and produces air with a dew point of less than -30°C. The Series 7000 is available with an optional dew point transmitter.

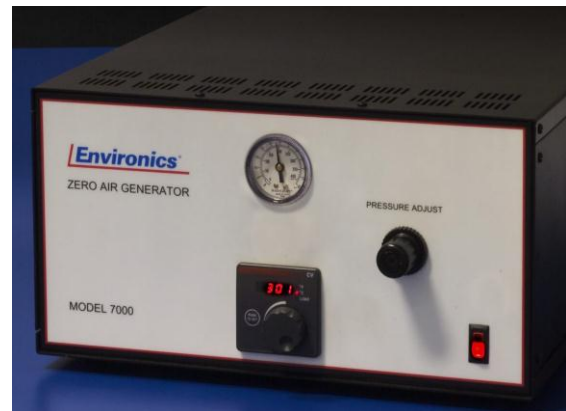
The Zero Air Generator also includes a color-changing moisture indicator, visible on the front panel, to make users immediately aware of the presence of moisture. If water vapor is present, the indicator will change from dark blue to white. When the water vapor is removed, the indicator will revert to its dark blue color.

The Series 7000 consists of an oil-less piston pump and scrubbers to remove SO₂, NO, NO₂, O₃ and H₂S. Optional scrubbers are available to remove CO and Hydrocarbons.

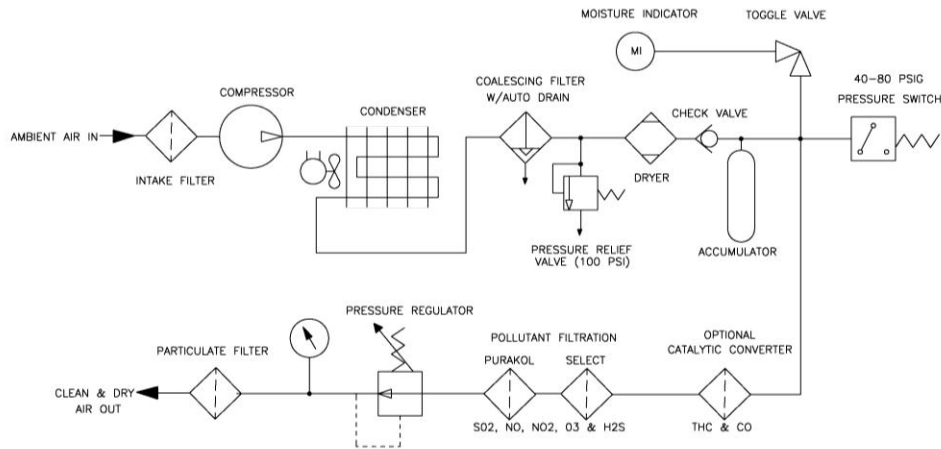
A ballast tank is standard in the system. It extends both the pump and scrubber life by cycling the pump automatically only as needed.

The Series 7000 offers automatic pneumatic control. It will automatically turn on and off based on the demand of the system that it is supporting.

Operation of the system has been simplified so that the operator can set the output pressure desired through a regulator on the front panel of the system. The output pressure gauge is located to accurately reflect the output pressure of the system.



The Zero Air Generator is designed to fit into a 19" rack with optional slides or used in a portable mode. Strict attention has been paid to the weight of all components to make this system as light as possible.



SPECIFICATIONS

Output: 1-20 LPM @ 30 psig (2.07Bar)

Dewpoint: -20°C up to 10 LPM
-10°C up to 20 LPM

Dryer: Regenerative heatless dryer

Output concentration:

<math><0.5</math> ppb SO₂
<math><0.5</math> ppb NO
<math><0.5</math> ppb NO₂
<math><0.5</math> ppb O₃
<math><0.025</math> ppm CO
(requires optional scrubber)
<math><0.02</math> ppm Hydrocarbons
(requires optional scrubber)

Pump: Internal long-life, oil-less piston pump

HC Scrubber Temperature:

Adjustable: 300°C to 550°C (110VAC)

Adjustable: 300°C to 482°C (240VAC)

Dimensions:

Portable: Height : 8.75" (22.2 cm)
Width: 19" (48.2 cm)
Length: 23.5" (59.7 cm)

Rack: Height 8.75" (22.2 cm)
Width: 19" (48.2 cm)
Length: 23.5" (59.7 cm)

Weight: 45 lbs (20.4 kg)

Electrical Requirements:

Standard: 100 VAC to 250 VAC, (50/60 Hz)

Power consumption: <math><500</math> watts

Operating Temperatures:

4° C - 44° C

Performance Temperature Range

15° C - 30° C

Environics is a registered trademark of Environics Inc. Other trade names or brand names are the property of their respective holders. We hope the information given here will be helpful. It is based on data and knowledge considered to be true and accurate and is offered for the users' consideration, investigation and verification, but we do not warrant the results to be obtained. All specifications and descriptions contained herein are subject to change without notice. Please read all statements, recommendations or suggestions in conjunction with our conditions of sale which apply to all goods supplied by us. No statement, recommendation, or suggestion is intended for any use which would infringe any patent or copyright.

Environics®



69 Industrial Park Road East, Tolland, CT 06084

Phone: (860) 872-1111

Fax: (860) 870-9333

Email: info@environics.com

http://www.environics.com

Copyright 2011 Environics Inc. Printed in USA 4/11